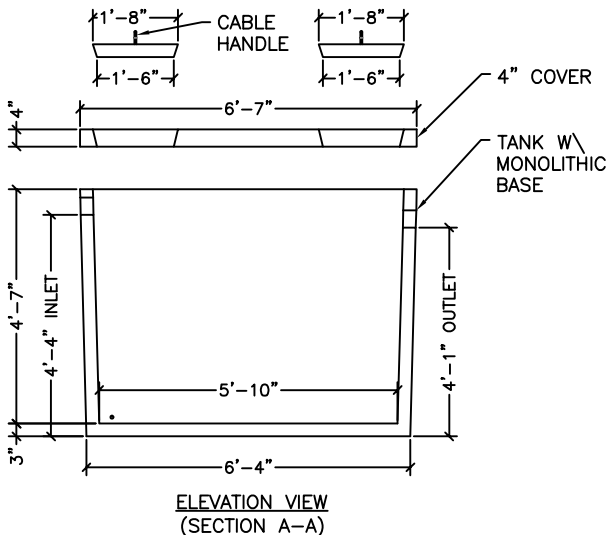
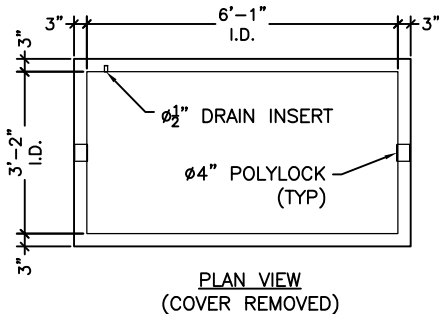
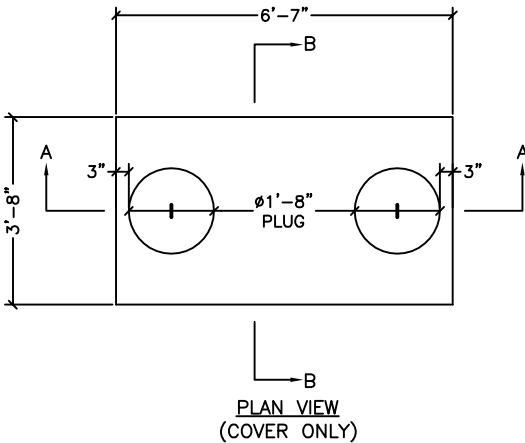
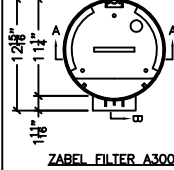


DESIGN CRITERIA:

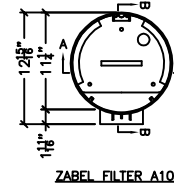
- CONCRETE: 5000 PSI @ 28 DAYS
- ENTRAINED AIR: 5% - 9%
- DESIGN LOADING: 300 PSF
- REINFORCEMENT: BAR-ASTM A615 GR60
- WWR-ASTM A185/A497 GR65



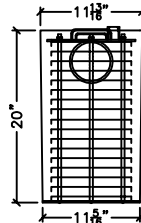
FILTER OPTIONS: **UPGRADE
 (SUBJECT TO A PRICE INCREASE)**



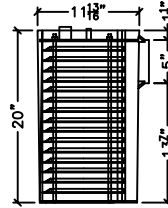
- ZABEL SERIES A300**
- USES: INDUSTRIAL/COMMERCIAL
 - NOTE: CAN BE USED FOR GREASE TRAPS
 - FLOW RATE: 3000 GPD
 - FILTERS UP TO 1/2"
 - SERVICE: DEPENDS ON THE APPLICATION, EACH APPLICATION REQUIRES A DIFFERENT SCHEDULE. PLEASE CHECK WITH POLY-LOK FOR SERVICE SPECIFICATIONS.



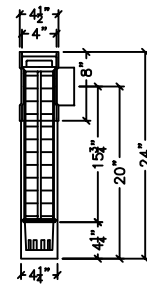
- ZABEL SERIES A100**
- USES: RESIDENTIAL/COMMERCIAL
 - FLOW RATE: 3000 GPD
 - FILTERS UP TO 1/2"
 - SERVICE: RESIDENTIAL - CLEAN THE FILTER WHEN THE TANK IS NORMALLY INSPECTED AND PUMPED.
 - SERVICE COMMERCIAL - DEPENDS ON FLOW RATE AND THE CHARACTERISTICS OF THE SOLIDS IN THE WASTEWATER.



- ZABEL SERIES A1800**
- USES: SINGLE FAMILY HOMES
 - FLOW RATE: 800 GPD
 - FILTERS UP TO 1/2"
 - SERVICE: CLEAN THE FILTER WHEN THE TANK IS NORMALLY INSPECTED AND PUMPED.



- TUF-TITE SERIES EF-4**
- USES: SINGLE FAMILY HOMES
 - FLOW RATE: 800 GPD
 - FILTERS UP TO 1/2"
 - SERVICE: CLEAN THE FILTER WHEN THE TANK IS NORMALLY INSPECTED AND PUMPED.

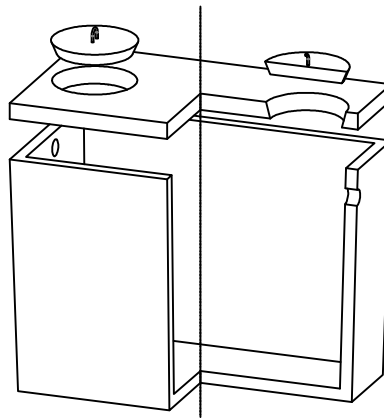


**CLEANING IS EASY, REMOVE THE FILTER, RINSE WITH FRESH WATER OVER THE TANK OPENING AND REINSERT INTO HOUSING.

PLEASE SELECT ANY ACCESSORIES THAT WILL BE SUPPLIED BY LAKELANDS

- ZABEL FILTER A1800 QUANTITY: _____
- ZABEL FILTER A300 QUANTITY: _____
- ZABEL FILTER A100 QUANTITY: _____
- TUF-TITE EF-4 QUANTITY: _____

FOR ADDITIONAL INFORMATION PLEASE CONTACT LAKELANDS OR VIEW
 POLY-LOK: WWW.POLYLOK.COM
 TUF-TITE: WWW.TUF-TITE.COM
 INFILTRATORS: WWW.INFILTRATORSYSTEMS.COM

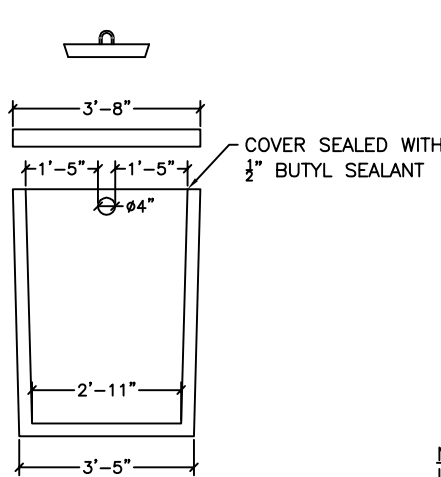


**POLY-LOCK SEAL
 (CAST-IN)**

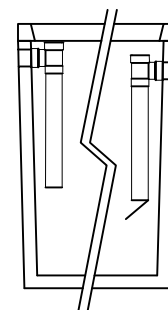
THIS DEVICE ELIMINATES THE USE OF GROUT BY CREATING ITS OWN WATERTIGHT SEAL. CONTRACTORS CAN EASILY TRIM THE SEAL TO THE DESIRED PIPE SIZE AND THEN INSERT THE PIPE. IT CAN BE USED FOR 2", 3", OR 4" PIPE.

COMPONENT	WEIGHT (LBS)
COVER	978
TANK	4255
TOTAL	5233

ISOMETRIC VIEW



****STANDARD****



NOTE:
 INLET - SANITARY TEE
 OUTLET - SANITARY TEE W/ GAS FLAP
 SUPPLIED BY LAKELANDS
 INSTALLED BY CONTRACTOR