

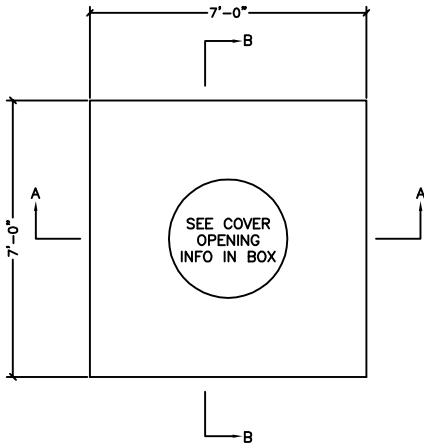
MANHOLE

6'-0" x 6'-0" x 6'-0"

DESIGN CRITERIA:

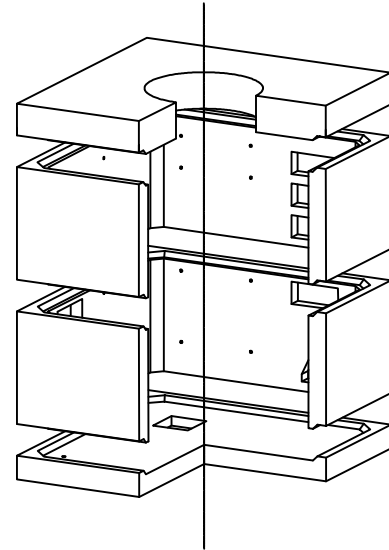
CONCRETE: 5000 PSI @ 28 DAYS
 ENTRAINED AIR: 5% - 9%
 DESIGN LOADING: AASHTO HS20-44 WITH
 LESS THAN 2'-0" EARTH COVER
 REINFORCEMENT: BAR-ASTM A615 GR60
 WWR-ASTM A185/A497 GR65

****MAXIMUM DISTANCE FROM GRADE
 TO TOP OF BASE SLAB = 14'-6".
 EARTH COVER = 2'-0" MAXIMUM****



**PLAN VIEW
 (COVER ONLY)**

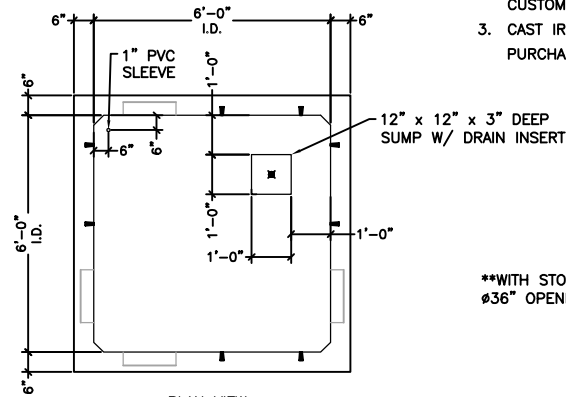
- Ø30" COVER OPENING
 - Ø36" COVER OPENING
 - Ø48" COVER OPENING
 - OTHER
- **COVER OPENING SIZES ARE STANDARD SIZES AND CENTERED IN THE PRECAST COVER. CUSTOM SIZES ARE AVAILABLE AT THE CUSTOMERS REQUEST. LOCATION CAN VARY.**



ISOMETRIC VIEW

SPECIFICATIONS:

1. KNOCKOUTS SHOWN ARE STANDARD. VARIOUS KNOCKOUT TYPES ARE AVAILABLE, OPENINGS AS REQUIRED.
2. INSERT AND PULLING IRONS ARE STANDARD, CUSTOM QUANTITY AND LOCATION AS NEEDED
3. CAST IRON FRAME AND GRATES AVAILABLE FOR PURCHASE.



**PLAN VIEW
 (COVER REMOVED)**

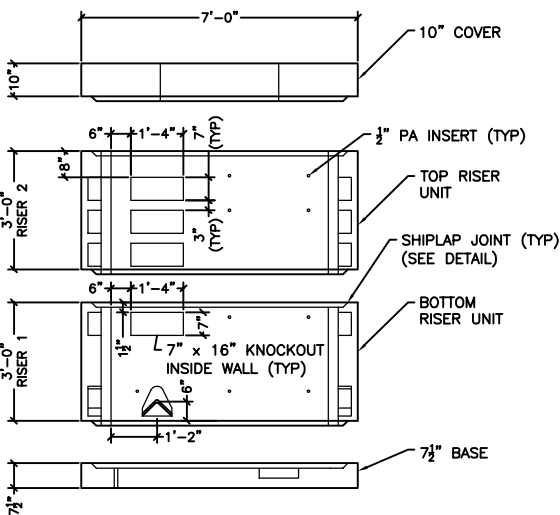
****WITH STOCK
 Ø36" OPENING**

COMPONENT	WEIGHT (LBS)
COVER	5220
BASE	4631
(2) 36" RISER	5950
TOTAL	21751

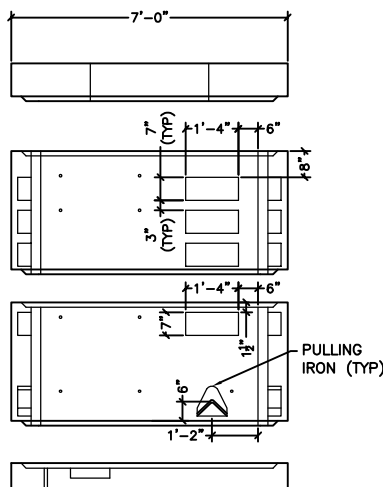


BOWCO INSERT PULLING IRON

-NONCORROSIVE
 -SEVEN STRAND, 1/2"Ø, WITH AN ULTIMATE STRENGTH OF 270,000 PSI
 -ENCAPSULATED BY A RUSTPROOF SLEEVE THAT SLIPS OVER THE STEEL ROPE AT THE HOOKING POINT



**ELEVATION VIEW
 (SECTION A-A)**

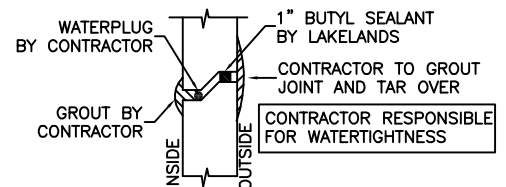


**SIDE ELEVATION VIEW
 (SECTION B-B)**



PENNSYLVANIA INSERTS

-1/2" BOLT DIAMETER
 -STOPS CORROSION
 -2 1/2" BOLT EMBEDMENT DEPTH
 -WORK LOAD STRENGTH OF 1,260 LBS.



CONTRACTOR RESPONSIBLE FOR WATERTIGHTNESS