

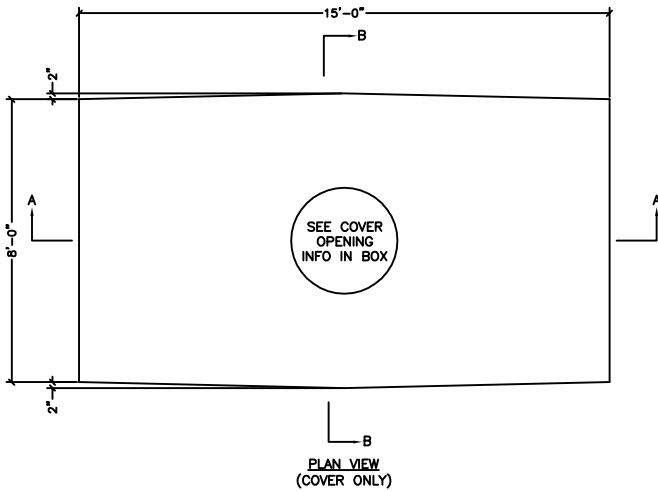
MANHOLE

7'-0" x 14'-0" x 8'-0"

DESIGN CRITERIA:

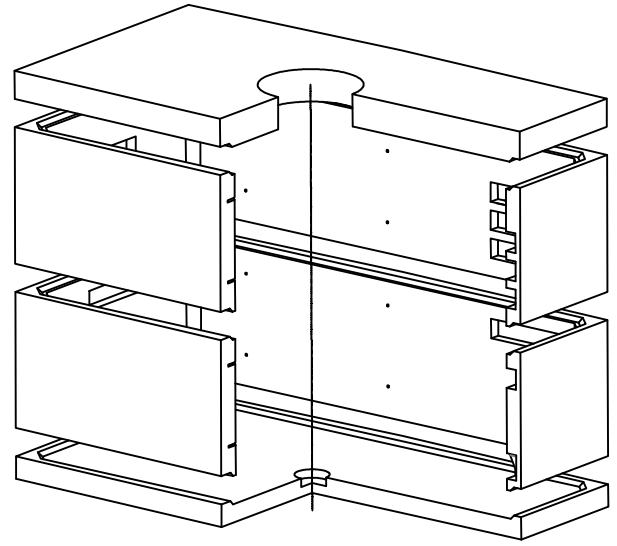
CONCRETE: 5000 PSI @ 28 DAYS
 ENTRAINED AIR: 5% - 9%
 DESIGN LOADING: AASHTO HS20-44 WITH
 LESS THAN 2'-0" EARTH COVER
 REINFORCEMENT: BAR-ASTM A615 GR60
 WWR-ASTM A185/A497 GR65

****MAXIMUM DISTANCE FROM GRADE
 TO TOP OF BASE SLAB = 13'-0".
 EARTH COVER = 2'-0" MAXIMUM****



☐ #36" COVER OPENING
 ☐ OTHER

****COVER OPENING
 SIZES ARE STANDARD
 SIZES AND CENTERED
 IN THE PRECAST
 COVER. CUSTOM SIZES
 ARE AVAILABLE AT THE
 CUSTOMERS REQUEST.
 LOCATION CAN VARY.**



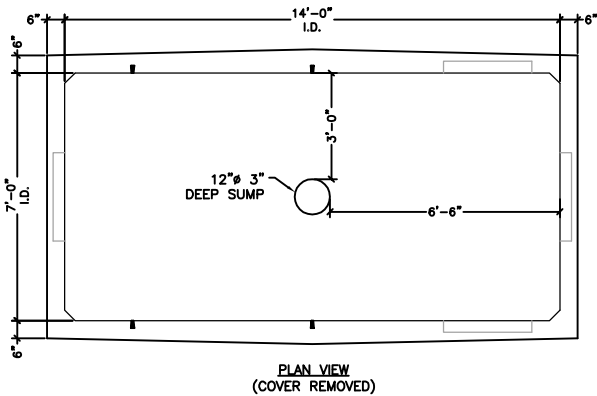
ISOMETRIC VIEW

SPECIFICATIONS:

1. KNOCKOUTS SHOWN ARE STANDARD. VARIOUS KNOCKOUT TYPES ARE AVAILABLE, OPENINGS AS REQUIRED.
2. INSERT AND PULLING IRONS ARE STANDARD, CUSTOM QUANTITY AND LOCATION AS NEEDED
3. CAST IRON FRAME AND GRATES AVAILABLE FOR PURCHASE.



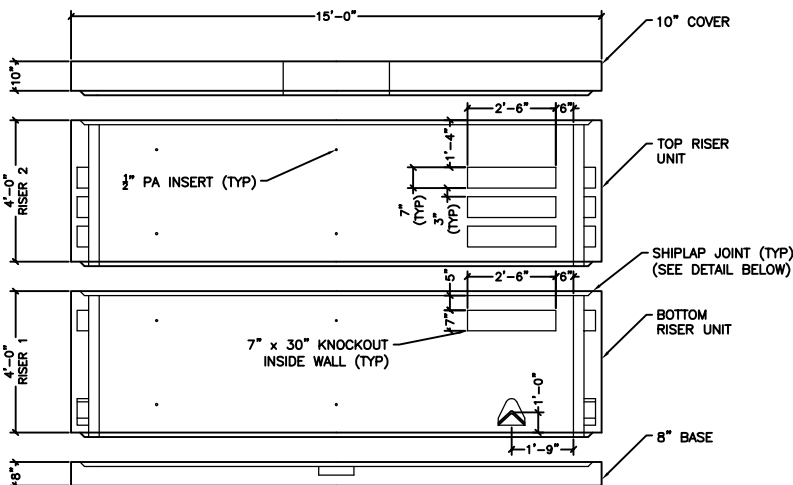
BOWCO INSERT PULLING IRON
 -NONCORROSIVE
 -SEVEN STRAND, 1/2"Ø, WITH AN ULTIMATE STRENGTH OF 270,000 PSI
 -ENCAPSULATED BY A RUSTPROOF SLEEVE THAT SLIPS OVER THE STEEL ROPE AT THE HOOKING POINT



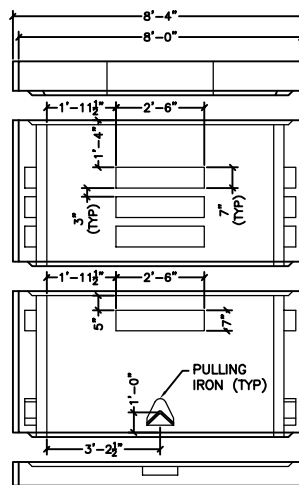
PLAN VIEW
 (COVER REMOVED)

****WITH STOCK
 #36" OPENING**

| COMPONENT | WEIGHT (LBS) |
|--------------|--------------|
| COVER | 14439 |
| BASE | 12250 |
| (2)48" RISER | 14774 |
| TOTAL | 56237 |



ELEVATION VIEW
 (SECTION A-A)



SIDE ELEVATION VIEW
 (SECTION B-B)



PENNSYLVANIA INSERTS
 -1/2" BOLT DIAMETER
 -STOPS CORROSION
 -2 1/2" BOLT EMBENDMENT DEPTH
 -WORK LOAD STRENGTH OF 1,260 LBS.

