

AGRICULTURAL
 CORNER BUNKER SILO
 5'-1" x 5'-1" x 8'-6"

DESIGN CRITERIA:

CONCRETE: 5000 PSI @ 28 DAYS

ENTRAINED AIR: 5% - 9%

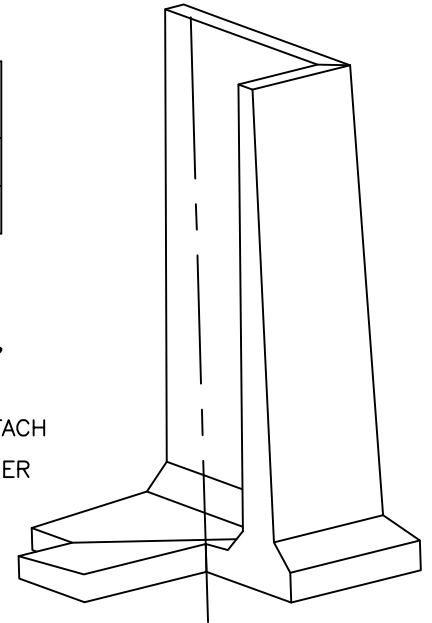
REINFORCEMENT: BAR-ASTM A615 GR60

WWR-ASTM A185/A497 GR65

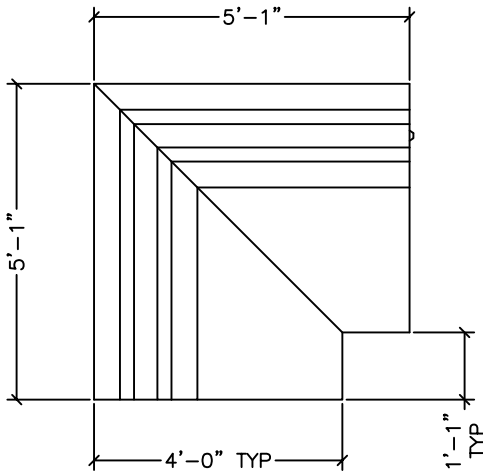
COMPONENT	WEIGHT (LBS)
SILO-C (2)	4137
TOTAL	8274

NOTE:

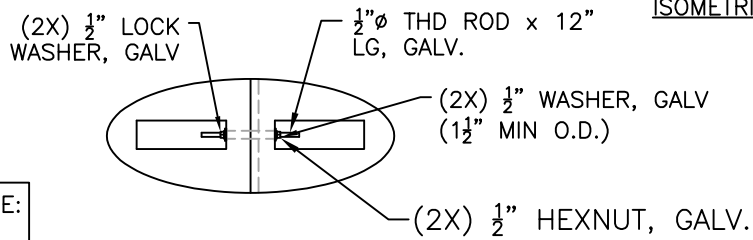
- CORNER BUNKERS CAN BE SOLD SEPARATELY, (RIGHT OR LEFT)
- EMBEDDED IN EACH ARE $\phi 1"$ SLEEVES TO ATTACH THE RIGHT AND LEFT TO MAKE THE CORNER BUNKER SILO AS SHOWN



ISOMETRIC VIEW



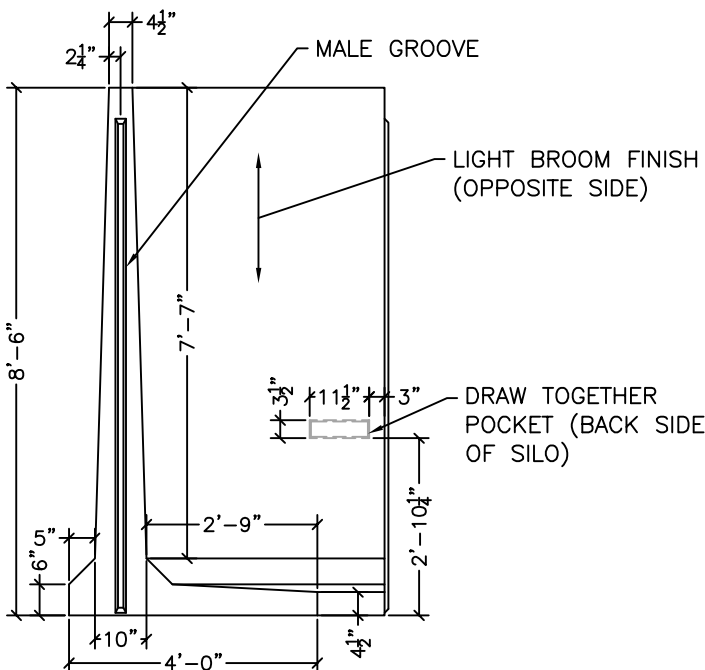
PLAN VIEW



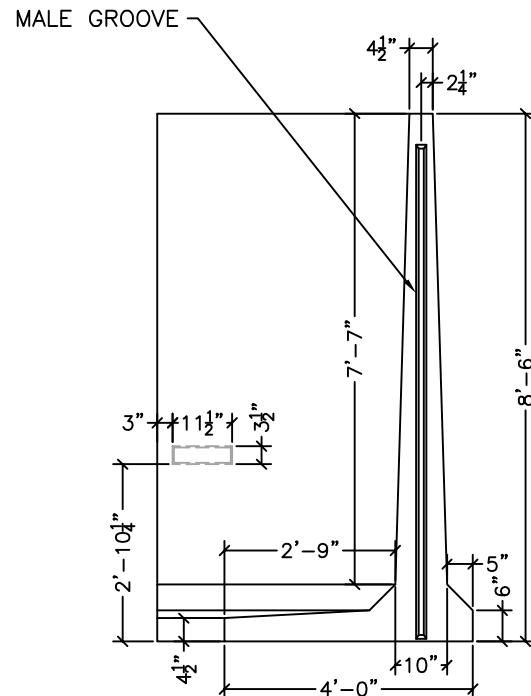
CONNECTION DETAIL
 (HARDWARE BY OTHERS UNLESS NOTED OTHERWISE)

SELECT COMPONENT YOU WISH TO PURCHASE:

- CORNER BUNKER LEFT SILO
- CORNER BUNKER RIGHT SILO
- CORNER BUNKER SILO ASSEMBLY



ELEVATION VIEW



SIDE VIEW