

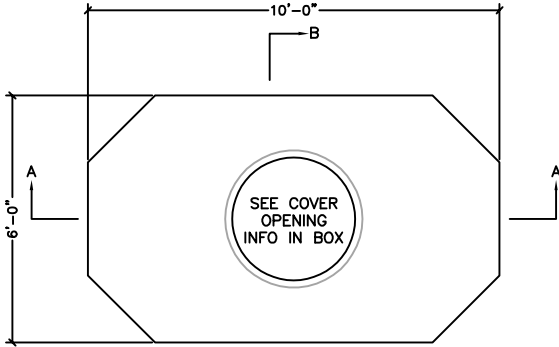
NATIONAL GRID MANHOLE

5'-0" x 9'-0" x 7'-0"

DESIGN CRITERIA:

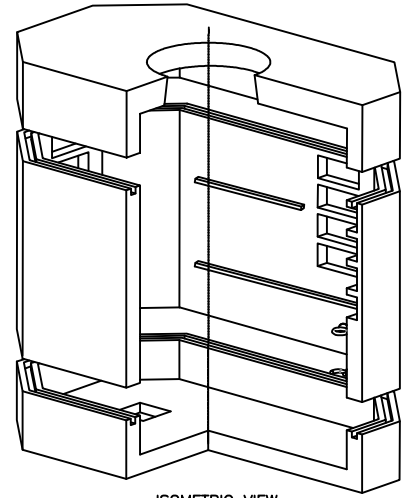
CONCRETE: 5000 PSI @ 28 DAYS
 ENTRAINED AIR: 5% - 9%
 DESIGN LOADING: AASHTO HS20-44 WITH
 LESS THAN 2'-0" EARTH COVER
 REINFORCEMENT: BAR-ASTM A615 GR60
 WWR-ASTM A185/A497 GR65

****MAXIMUM DISTANCE FROM GRADE TO TOP OF BASE SLAB = 17'-0". EARTH COVER = 2'-0" MAXIMUM****

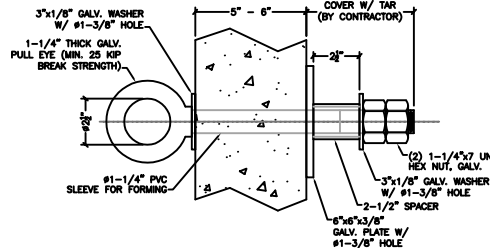


PLAN VIEW (COVER ONLY)

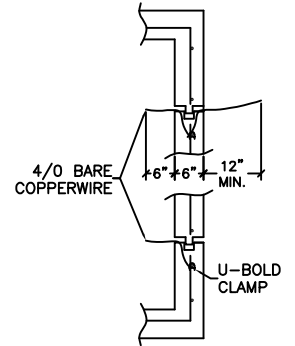
- Ø38" TAPERED TO Ø40" COVER OPENING
 - 38" SQUARE TAPERED TO 44" SQUARE COVER OPENING
 - Ø50"/Ø38" STEP DOWN COVER OPENING
 - OTHER
- **COVER OPENING SIZES ARE STANDARD SIZES AND CENTERED IN THE PRECAST COVER. CUSTOM SIZES ARE AVAILABLE AT THE CUSTOMERS REQUEST. LOCATION CAN VARY.**



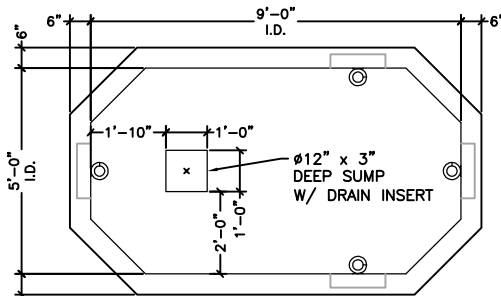
ISOMETRIC VIEW



(TYPICAL PULLING EYE)



4/0 GROUNDWIRE DETAIL



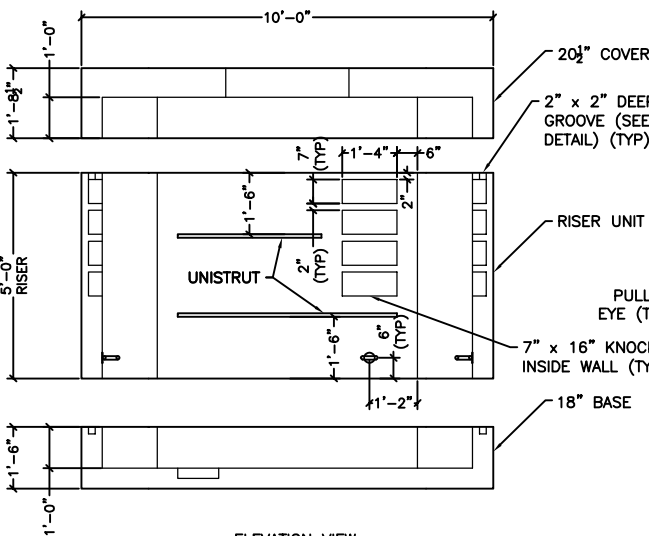
PLAN VIEW (COVER REMOVED)

COMPONENT	WEIGHT (LBS)
COVER	6450
BASE	6080
60" RISER	9950
TOTAL	22480

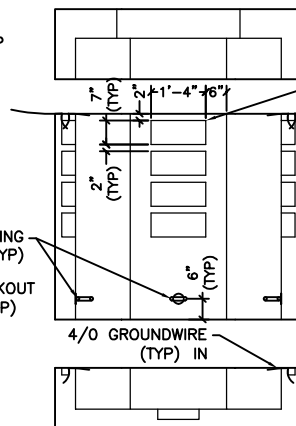
****WITH Ø38" TAPERED TO Ø40" OPENING**

SPECIFICATIONS:

1. KNOCKOUTS SHOWN ARE STANDARD PER NATIONAL GRID SPECIFICATIONS.
2. PULLING EYE, KNOCKOUT, AND UNISTRUT LOCATION MAY BE ALTERED TO SATISFY THE CUSTOMERS NEED.
3. CAST IRON FRAME AND GRATES AVAILABLE FOR PURCHASE.



ELEVATION VIEW (SECTION A-A)



SIDE ELEVATION VIEW (SECTION B-B)

7" x 26" KNOCKOUTS ARE AVAILABLE. STANDARD SPECIFICATION SHOWS THESE LARGER KNOCKOUTS ON THE INSIDE OF THE SHORT WALL, THERE WILL BE NO KNOCKOUTS OR PULLING EYES ON THE LONG WALL, ONLY UNISTRUTS. PULLING EYES WILL REMAIN ON THE SHORT WALL.

