



7520 EAST MAIN STREET, LIMA NY 14485
 PH: 585-624-1990 - FAX: 585-624-2102
 WEB: WWW.LAKELANDSCONCRETE.COM
 E-MAIL: SALES@LAKELANDSCONCRETE.COM

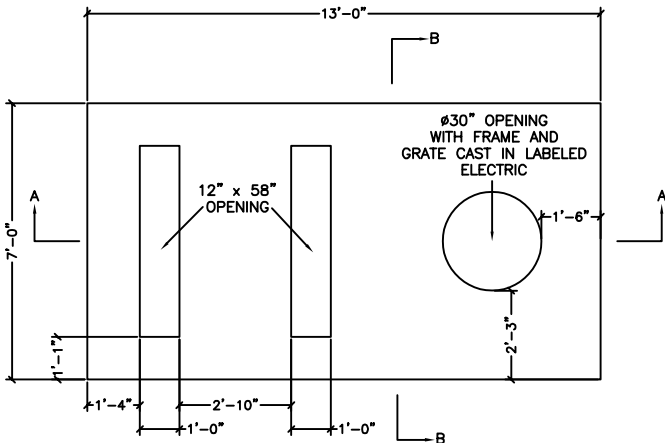
DWG: MH6127-RGE-7x24-PVI-6
 10/1/2020 RGE MANHOLE
 6'-0" x 12'-0" x 7'-0"

DESIGN CRITERIA:

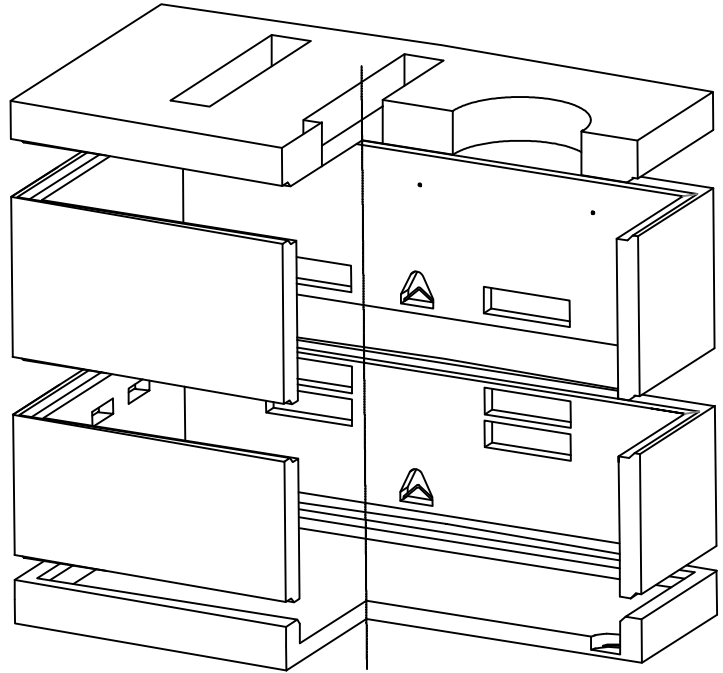
CONCRETE: 5000 PSI @ 28 DAYS
 ENTRAINED AIR: 5% - 9%
 DESIGN LOADING: AASHTO HS20-44 WITH
 LESS THAN 2'-0" EARTH COVER
 REINFORCEMENT: BAR-ASTM A615 GR60
 WWR-ASTM A185/A497 GR65

****MAXIMUM DISTANCE FROM GRADE
 TO TOP OF BASE SLAB = 13'-0".
 EARTH COVER = 2'-0" MAXIMUM****

****PVI-6 COVER CAN BE USED WITH
 ANY INSIDE HEIGHT OF MH612****



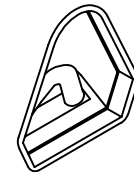
**PLAN VIEW
 (COVER ONLY)**



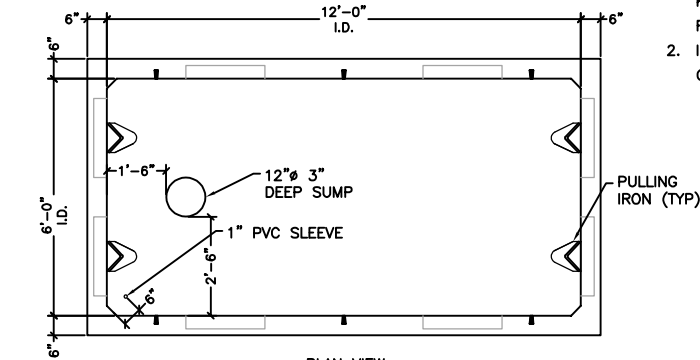
ISOMETRIC VIEW

SPECIFICATIONS:

1. KNOCKOUTS SHOWN ARE STANDARD. VARIOUS KNOCKOUT TYPES ARE AVAILABLE, OPENINGS AS REQUIRED.
2. INSERT AND PULLING IRONS ARE STANDARD, CUSTOM QUANTITY AND LOCATION AS NEEDED



BOWCO INSERT PULLING IRON
 -NONCORROSIVE
 -SEVEN STRAND, 1/2"Ø, WITH AN ULTIMATE STRENGTH OF 270,000 PSI
 -ENCAPSULATED BY A RUSTPROOF SLEEVE THAT SLIPS OVER THE STEEL ROPE AT THE HOOKING POINT

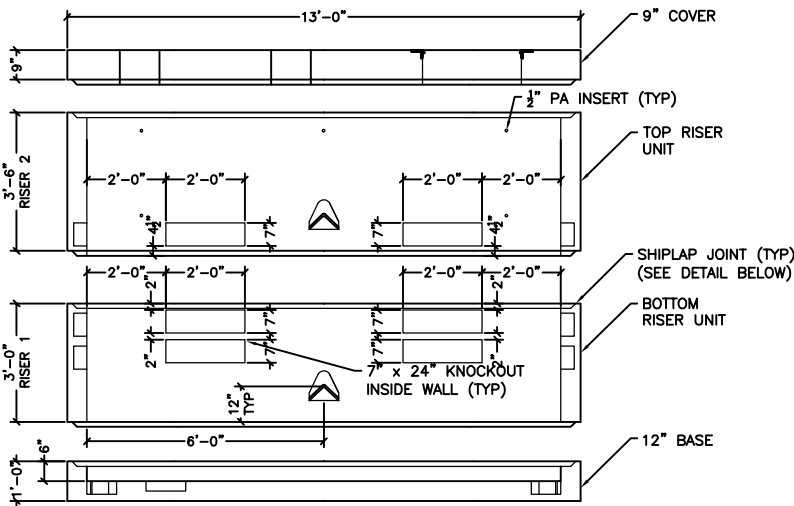


**PLAN VIEW
 (COVER REMOVED)**

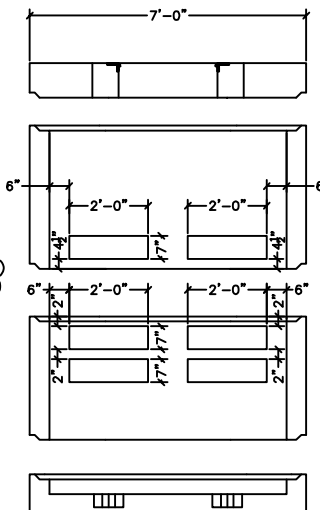
COMPONENT	WEIGHT (LBS)
COVER	8015
BASE	8259
36" RISER	8606
42" RISER	10041
TOTAL	34921



PENNSYLVANIA INSERTS
 -1/2" BOLT DIAMETER
 -STOPS CORROSION
 -2 1/2" BOLT EMBODMENT DEPTH
 -WORK LOAD STRENGTH OF 1,260 LBS.



**ELEVATION VIEW
 (SECTION A-A)**



**SIDE ELEVATION VIEW
 (SECTION B-B)**

