

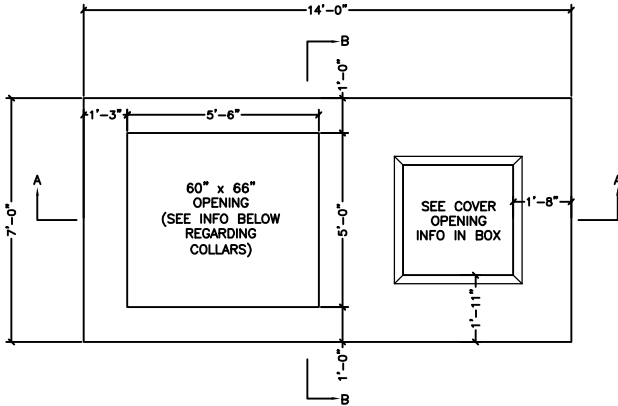
## NATIONAL GRID COLLAR ACCEPTING MANHOLE 6'-0" x 13'-0" x 6'-6"

**DESIGN CRITERIA:**

CONCRETE: 5000 PSI @ 28 DAYS  
 ENTRAINED AIR: 5% - 9%  
 DESIGN LOADING: AASHTO HS20-44 WITH  
 LESS THAN 2'-0" EARTH COVER  
 REINFORCEMENT: BAR-ASTM A615 GR60  
 WWR-ASTM A185/A497 GR65

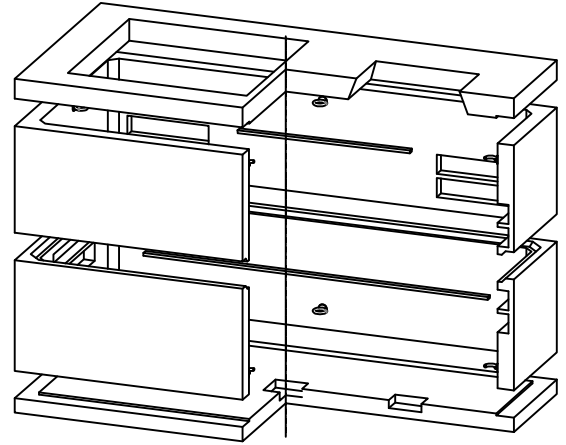
**\*\*MAXIMUM DISTANCE FROM GRADE  
 TO TOP OF BASE SLAB = 13'-0".  
 EARTH COVER = 2'-0" MAXIMUM\*\***

MS#: MS3467



PLAN VIEW  
 (COVER ONLY)

- #38" TAPERED TO #40" COVER OPENING
  - 38" SQ TAPERED TO 44" SQ COVER OPENING
  - OTHER
- \*\*COVER OPENING SIZES ARE STANDARD SIZES AND ARE AS SHOWN IN THE PRECAST COVER PLAN VIEW. CUSTOM SIZES ARE AVAILABLE AT THE CUSTOMERS REQUEST. LOCATION CAN VARY.**



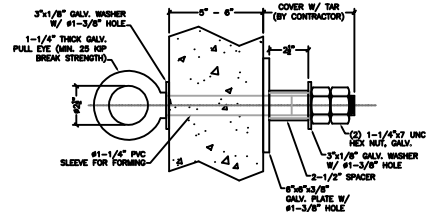
ISOMETRIC VIEW

60" x 66" OPENING ACCEPTS NATIONAL GRID COLLAR 'A' OR COLLAR 'B'. IF DESIRED, PLEASE CHECK ONE OF THE BOXES BELOW. SEE THE FOLLOWING SHEET FOR INFORMATION REGARDING THE COLLARS.

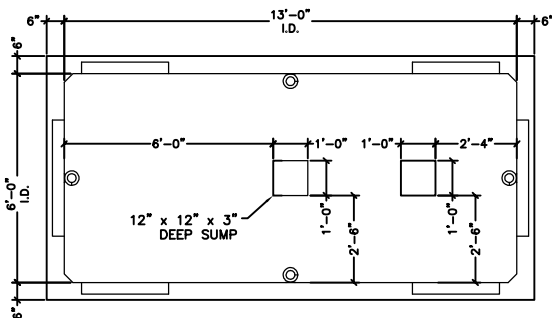
- COLLAR 'A'    COLLAR 'B'    COLLAR 'C'
- NONE

**SPECIFICATIONS:**

1. KNOCKOUTS SHOWN ARE STANDARD PER NATIONAL GRID SPECIFICATIONS.
2. PULLING EYE, KNOCKOUT, AND UNISTRUT LOCATION MAY BE ALTERED TO SATISFY THE CUSTOMERS NEED.
3. CAST IRON FRAME AND GRATES AVAILABLE FOR PURCHASE.



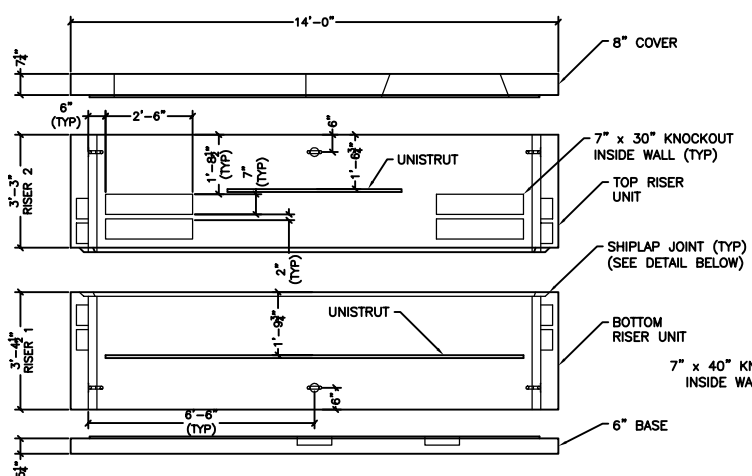
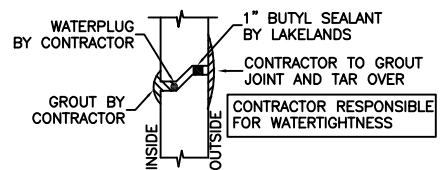
(TYPICAL PULLING EYE)



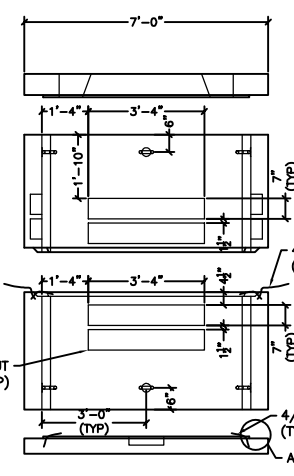
PLAN VIEW  
 (COVER REMOVED)

COMPONENT	WEIGHT (LBS)
COVER	6047
BASE	7224
40# RISER	10188
39" RISER	9811
TOTAL	33270

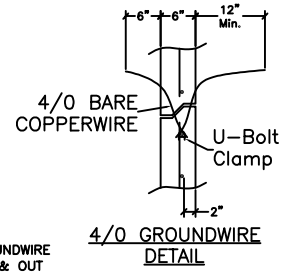
**\*\*WITH 38" SQ  
 TAPERED TO  
 44" SQ  
 OPENING**



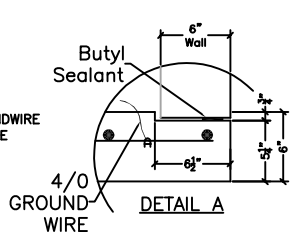
ELEVATION VIEW  
 (SECTION A-A)



SIDE ELEVATION VIEW  
 (SECTION B-B)



4/0 GROUNDWIRE  
 DETAIL



4/0 GROUNDWIRE  
 DETAIL A

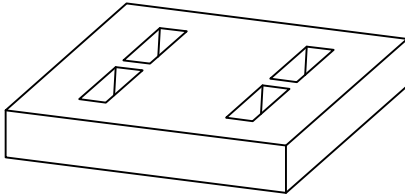


7520 EAST MAIN STREET, LIMA NY 14485  
 PH: 585-624-1990 - FAX: 585-624-2102  
 WEB: WWW.LAKELANDSCONCRETE.COM  
 E-MAIL: SALES@LAKELANDSCONCRETE.COM

DATE: 10/8/2020 DWG: COLLARS-NG

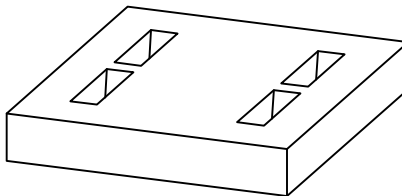
NATIONAL GRID  
 COLLAR 'A', 'B' & 'C'

NATIONAL GRID  
 COLLAR 'A'



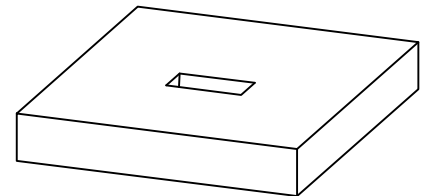
ISOMETRIC VIEW

NATIONAL GRID  
 COLLAR 'B'

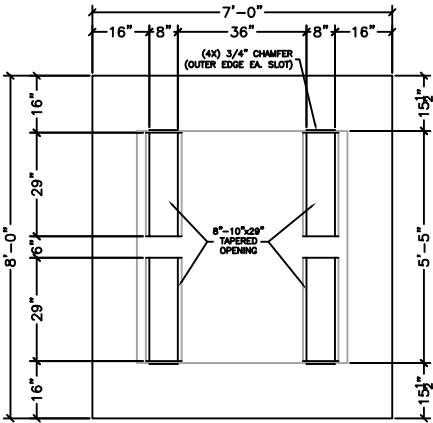


ISOMETRIC VIEW

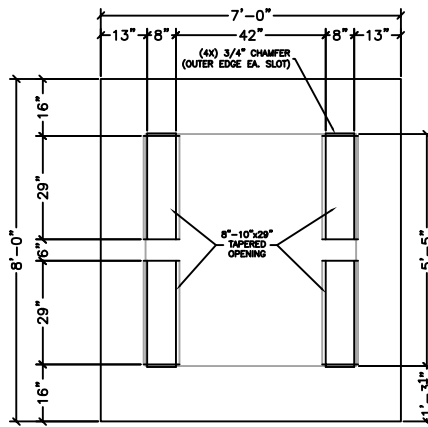
NATIONAL GRID  
 COLLAR 'C'



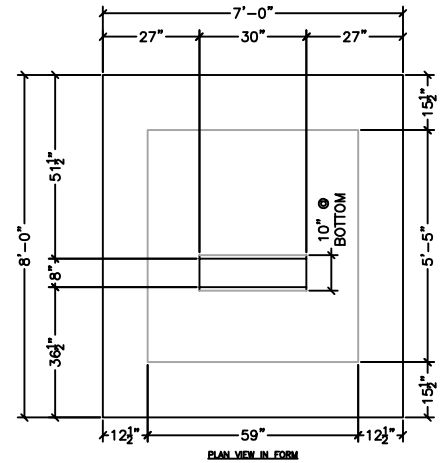
ISOMETRIC VIEW



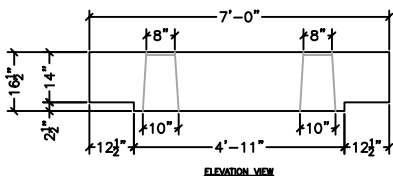
PLAN VIEW



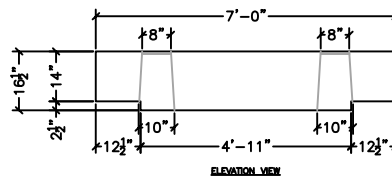
PLAN VIEW



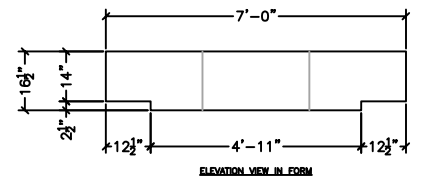
PLAN VIEW IN FORM



ELEVATION VIEW



ELEVATION VIEW



ELEVATION VIEW IN FORM

COMPONENT	WEIGHT (LBS)
COLLAR 'A'	9640

COMPONENT	WEIGHT (LBS)
COLLAR 'B'	9615

COMPONENT	WEIGHT (LBS)
COLLAR 'C'	10542