

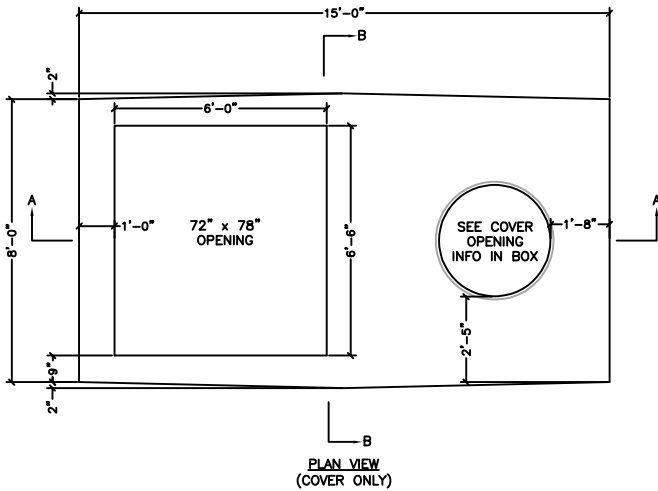
NATIONAL GRID COLLAR ACCEPTING MANHOLE 7'-0" x 14'-0" x 6'-6"

DESIGN CRITERIA:

CONCRETE: 5000 PSI @ 28 DAYS
 ENTRAINED AIR: 5% - 9%
 DESIGN LOADING: AASHTO HS20-44 WITH
 LESS THAN 2'-0" EARTH COVER
 REINFORCEMENT: BAR-ASTM A615 GR60
 WWR-ASTM A185/A497 GR65

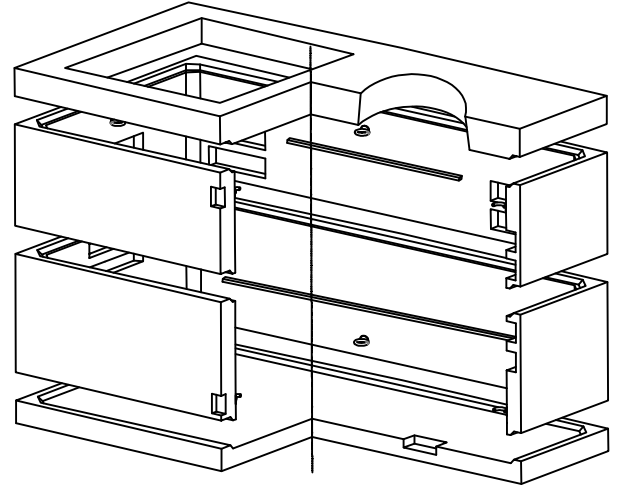
****MAXIMUM DISTANCE FROM GRADE
 TO TOP OF BASE SLAB = 13'-0".
 EARTH COVER = 2'-0" MAXIMUM****

MS#: MS3474



☐ #38" TAPERED TO #40" COVER OPENING
 ☐ OTHER

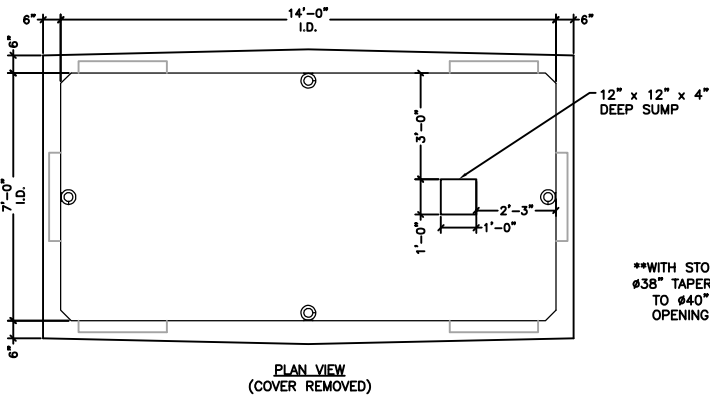
****COVER OPENING SIZES ARE STANDARD SIZES AND ARE AS SHOWN IN THE PRECAST COVER PLAN VIEW. CUSTOM SIZES ARE AVAILABLE AT THE CUSTOMERS REQUEST. LOCATION CAN VARY.**



ISOMETRIC VIEW

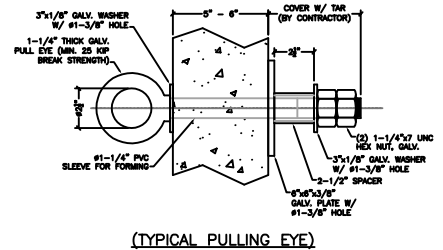
SPECIFICATIONS:

1. KNOCKOUTS SHOWN ARE STANDARD PER NATIONAL GRID SPECIFICATIONS.
2. PULLING EYE, KNOCKOUT, AND UNISTRUT LOCATION MAY BE ALTERED TO SATISFY THE CUSTOMERS NEED.
3. CAST IRON FRAME AND GRATES AVAILABLE FOR PURCHASE.

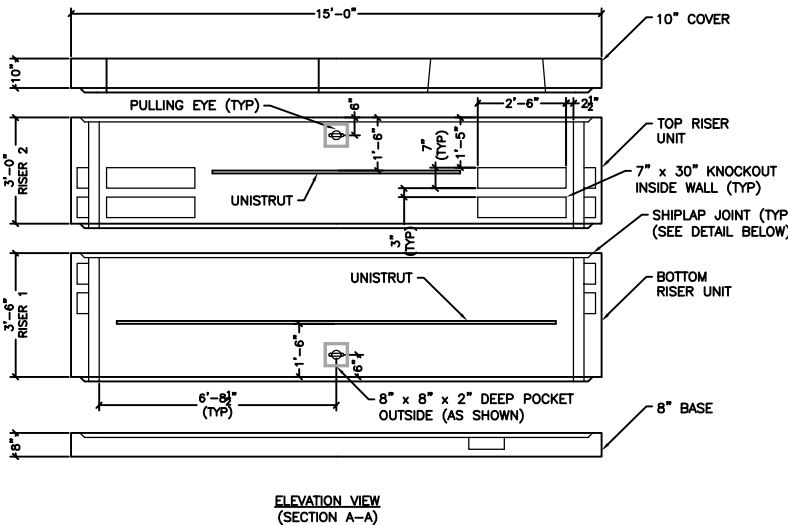


****WITH STOCK #38" TAPERED TO #40" OPENING**

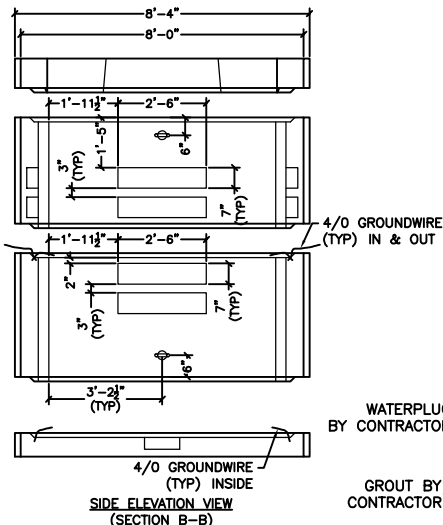
COMPONENT	WEIGHT (LBS)
COVER	9098
BASE	12250
36" RISER	11146
42" RISER	12954
TOTAL	45448



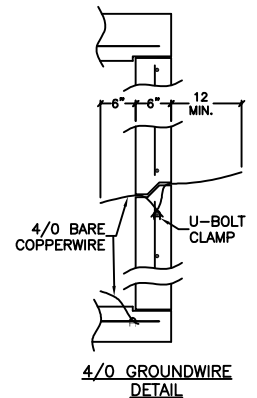
TYPICAL PULLING EYE



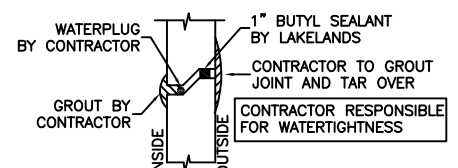
ELEVATION VIEW (SECTION A-A)



SIDE ELEVATION VIEW (SECTION B-B)



4/0 GROUNDWIRE DETAIL



CONTRACTOR TO GROUT JOINT AND TAR OVER
 CONTRACTOR RESPONSIBLE FOR WATERTIGHTNESS

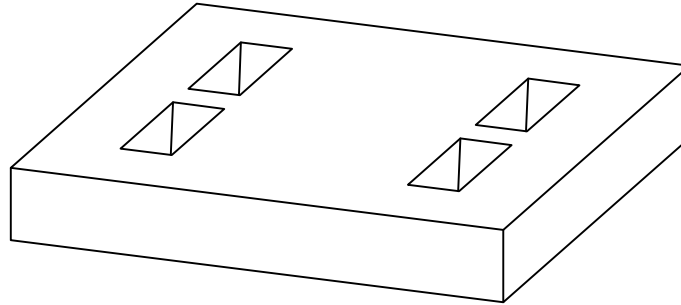


7520 EAST MAIN STREET, LIMA NY 14485
 PH: 585-624-1990 - FAX: 585-624-2102
 WEB: WWW.LAKELANDSCONCRETE.COM
 E-MAIL: SALES@LAKELANDSCONCRETE.COM

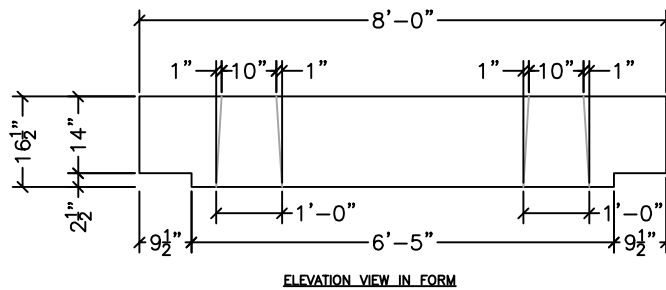
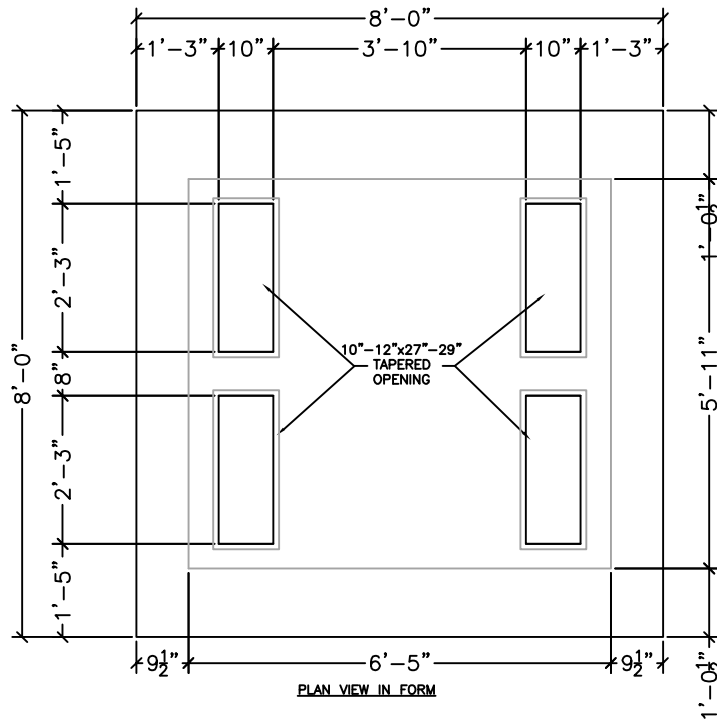
DATE: 10/12/20

DWG: COLLARS-NG

NATIONAL GRID
 COLLAR 'J'



ISOMETRIC VIEW



COMPONENT	WEIGHT (LBS)
COLLAR 'J'	10772