

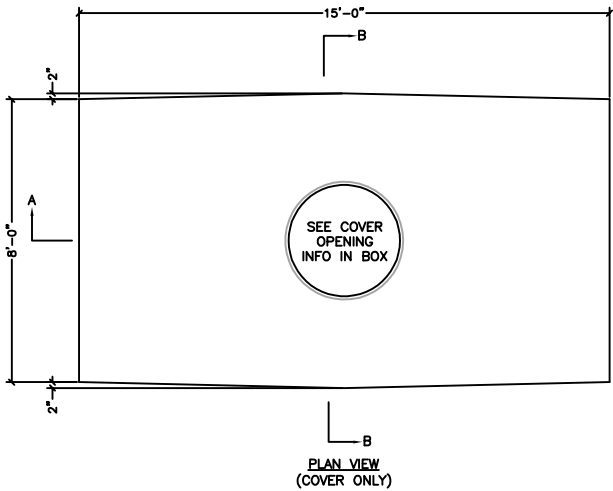
NATIONAL GRID MANHOLE 7'-0" x 14'-0" x 7'-0"

DESIGN CRITERIA:

CONCRETE: 5000 PSI @ 28 DAYS
 ENTRAINED AIR: 5% - 9%
 DESIGN LOADING: AASHTO HS20-44 WITH
 LESS THAN 2'-0" EARTH COVER
 REINFORCEMENT: BAR-ASTM A615 GR60
 WWR-ASTM A185/A497 GR65

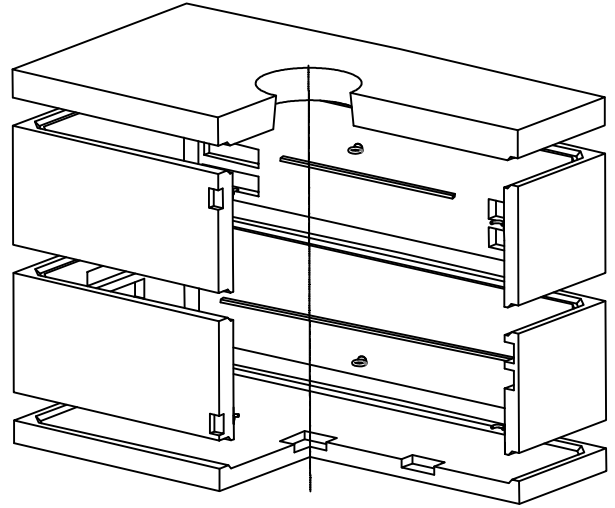
****MAXIMUM DISTANCE FROM GRADE
 TO TOP OF BASE SLAB = 13'-0".
 EARTH COVER = 2'-0" MAXIMUM****

MS#: MS3437



□ #38" TAPERED TO #40" COVER OPENING
 □ OTHER

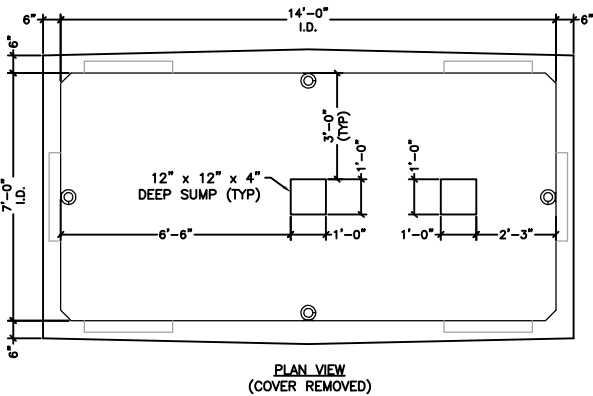
****COVER OPENING SIZES ARE STANDARD SIZES AND CENTERED IN THE PRECAST COVER. CUSTOM SIZES ARE AVAILABLE AT THE CUSTOMERS REQUEST. LOCATION CAN VARY.**



ISOMETRIC VIEW

SPECIFICATIONS:

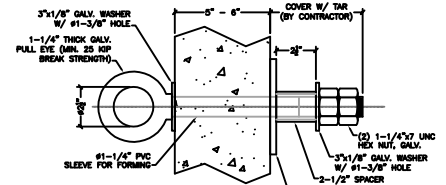
1. KNOCKOUTS SHOWN ARE STANDARD PER NATIONAL GRID SPECIFICATIONS.
2. PULLING EYE, KNOCKOUT, AND UNISTRUT LOCATION MAY BE ALTERED TO SATISFY THE CUSTOMERS NEED.
3. CAST IRON FRAME AND GRATES AVAILABLE FOR PURCHASE.



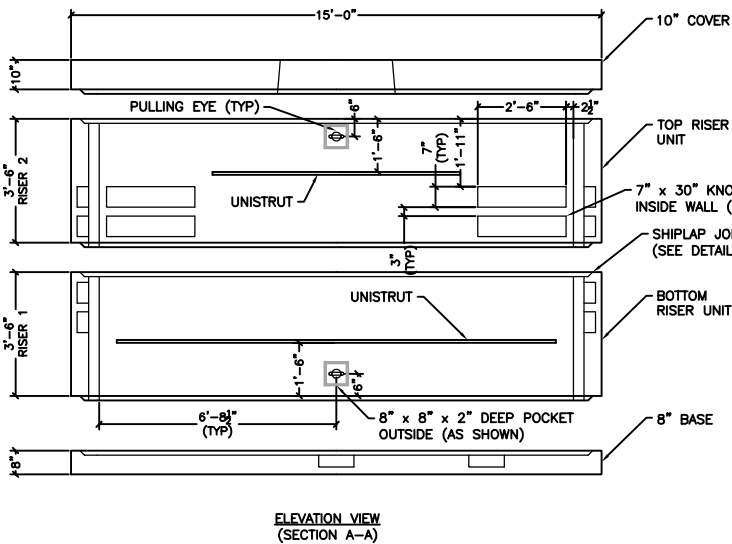
PLAN VIEW
 (COVER REMOVED)

COMPONENT	WEIGHT (LBS)
COVER	14439
BASE	12250
(2) 42" RISER	12950
TOTAL	52589

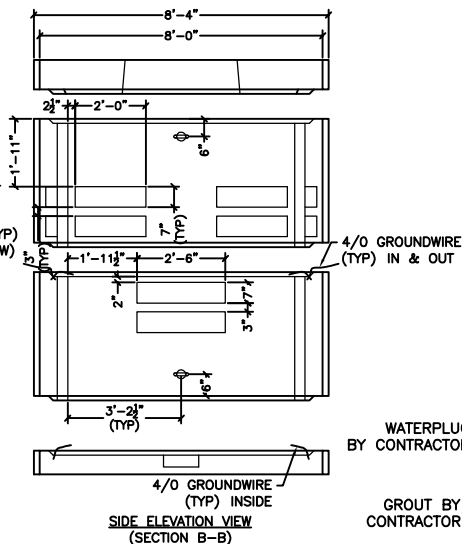
****WITH STOCK #38" TAPERED TO #40" OPENING**



(TYPICAL PULLING EYE)



ELEVATION VIEW
 (SECTION A-A)



SIDE ELEVATION VIEW
 (SECTION B-B)

