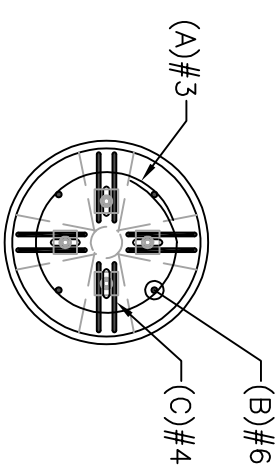
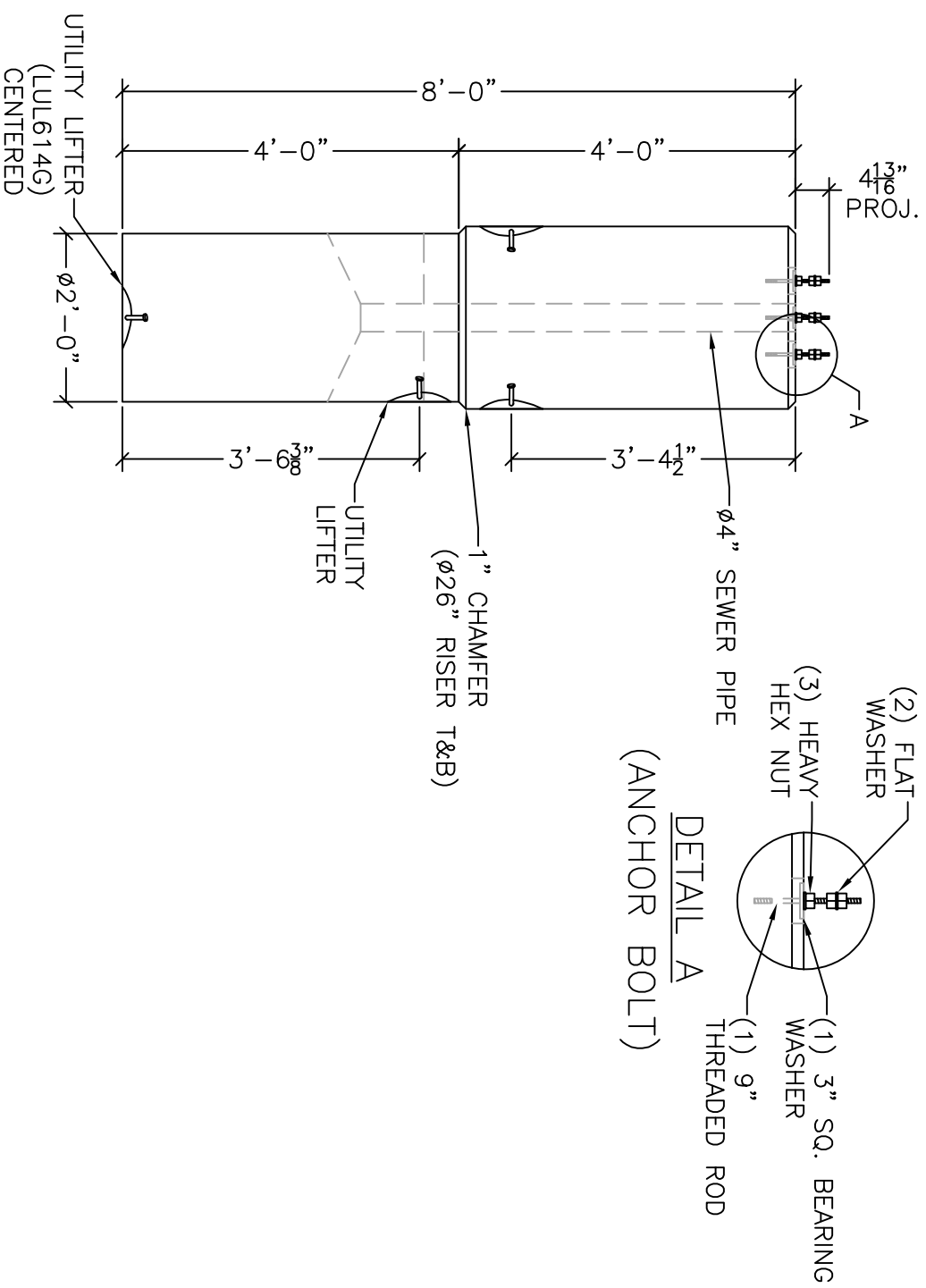


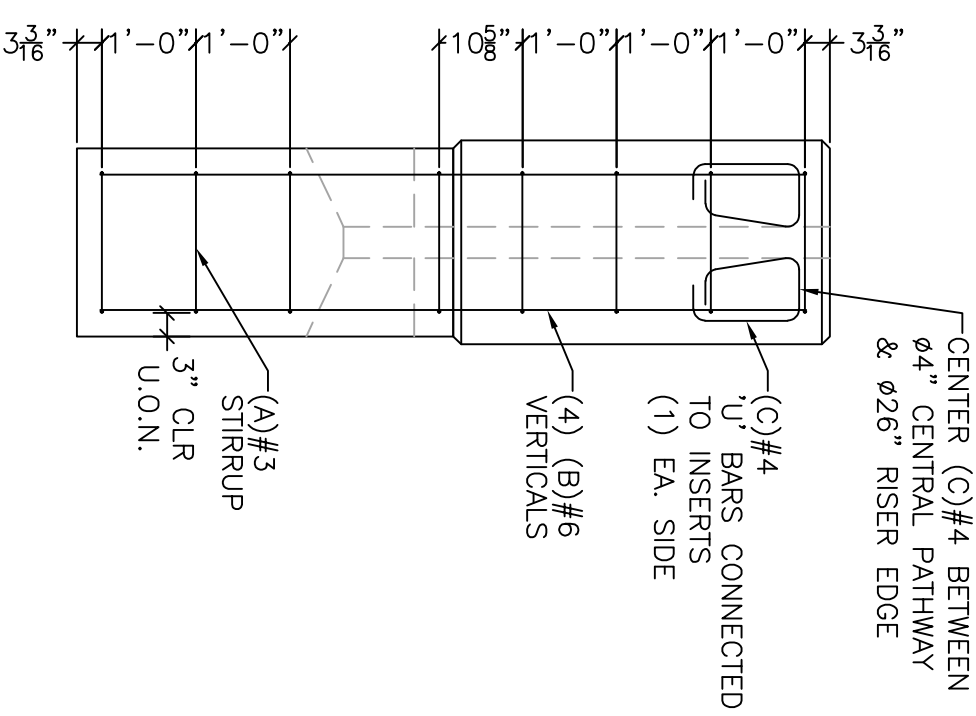
PLAN VIEW IN FORM



STEEL PLAN VIEW IN FORM



ELEVATION VIEW IN FORM



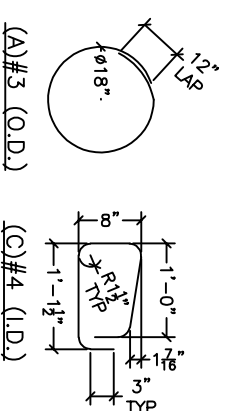
STEEL ELEVATION VIEW IN FORM

DATE: / /
 MIX #: 58
 FINISH (FORM): SMOOTH
 (TROWEL): SMOOTH

SECTION	CU YD	WEIGHT: LBS
BASE	0.94	3807
TOTAL	-	-

REINFORCING

MARK	SIZE	SHAPE	LENGTH	QTY
A	#3	0	5'-9"	8
B	#6	STR	7'-6"	4
C	#4	U	3'-7 1/8"	8



EMBEDDED ITEMS

ITEM	DESCRIPTION	QTY
BASE		
-	UTILITY LIFTER (LUL414G)	3
-	UTILITY LIFTER (LUL614G)	1
-	3" BULLET CHAIRS	4
-	3" WHEEL CHAIRS	6
-	4" PVC PIPE, 52 1/2" LG	1
-	INSERTS (RED)	4
-	NYLON BOLTS	8
-	NYLON NUTS	8
SHIPPED LOOSE		
-	THREADED ROD	4
-	BEARING WASHER	4
-	HEAVY HEX NUT	12
-	FLAT WASHER	8

DESIGN CRITERIA

CONCRETE: 5000 PSI @ 28 DAYS
 2000 PSI @ STRIPPING
 ENTRAINED AIR: 5% - 9%
 REINFORCEMENT: BAR-ASTM A615 GR60
 WMR-ASTM A185/A497 GR65
 DESIGN PER: AASHTO LRFDLTS-1

REV	DATE	DESCRIPTION
-	-	-

LPB CLASSIC
 LAKELANDS PRODUCTION DRAWING
 8' HEIGHT



7520 EAST MAIN STREET, LIMA NY 14485
 PH: 585-624-1990 - FAX: 585-624-2102
 DRWN: JMP CHKD: DATE: 3/25/2022
 FILE PATH: PROD/LB/LPB/DRAWINGS